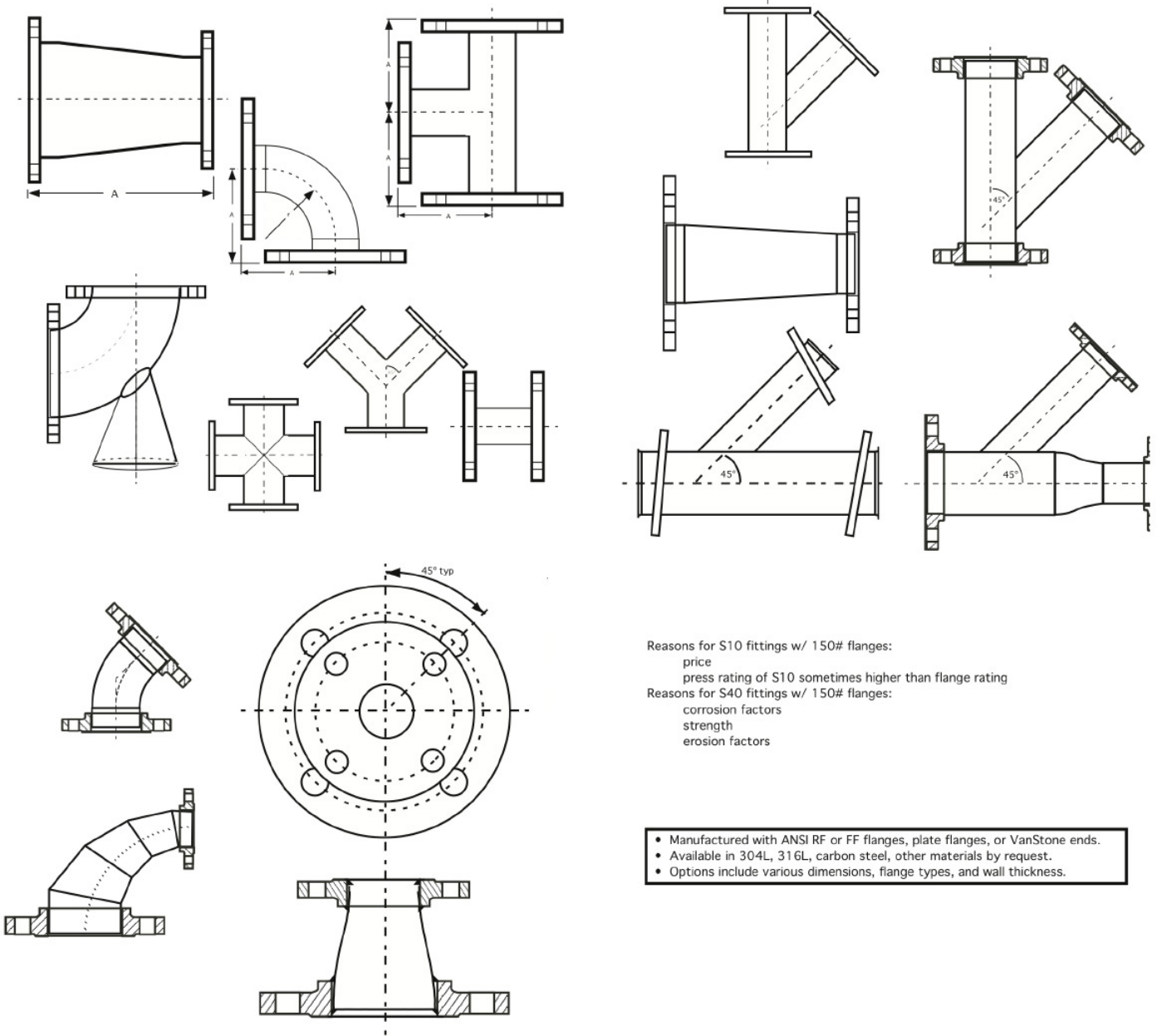


Flanged end Fittings



Reasons for S10 fittings w/ 150# flanges:
 price
 press rating of S10 sometimes higher than flange rating

Reasons for S40 fittings w/ 150# flanges:
 corrosion factors
 strength
 erosion factors

- Manufactured with ANSI RF or FF flanges, plate flanges, or VanStone ends.
- Available in 304L, 316L, carbon steel, other materials by request.
- Options include various dimensions, flange types, and wall thickness.