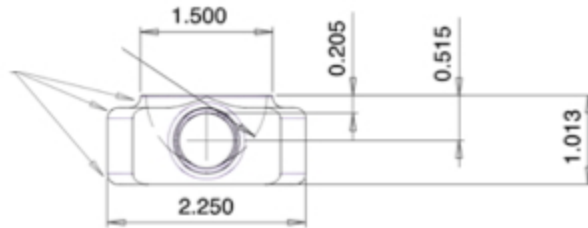
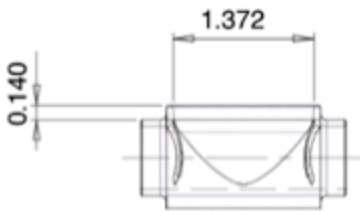
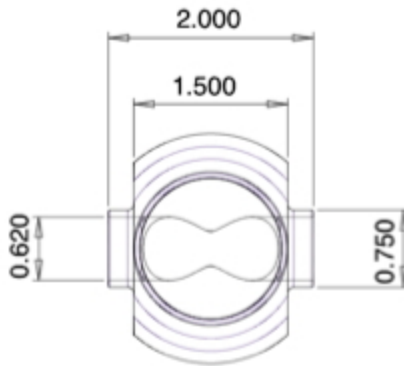
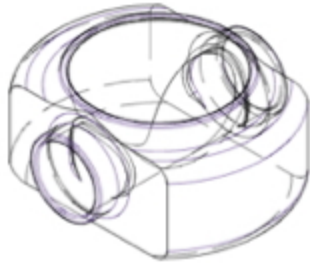




## ASI # 71B Instrument Tee Body

Appleton Stainless supplies you with a highly machined finish, which requires minimal polishing effort to meet your most demanding customer's requirements.



Size	Description
½ x 1½	316L Instrument Tee (body only)
½ x 2	316L Instrument Tee (body only)
¾ x 1	316L Instrument Tee (body only)
¾ x 1 ½	316L Instrument Tee (body only)
¾ x 2	316L Instrument Tee (body only)
1 x 1 ½	316L Instrument Tee (body only)
1 x 2	316L Instrument Tee (body only)
1 ½ x 2	316L Instrument Tee (body only)

Our standard instrument tee body is 316L. Other alloys are available upon request.  
Custom size also available.